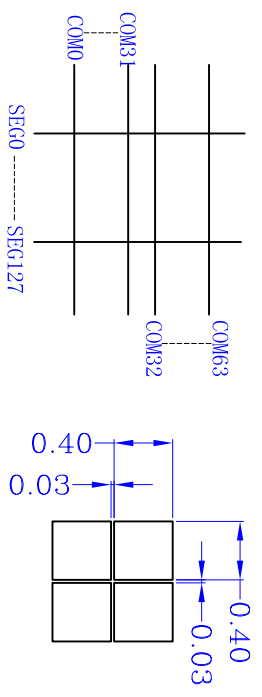
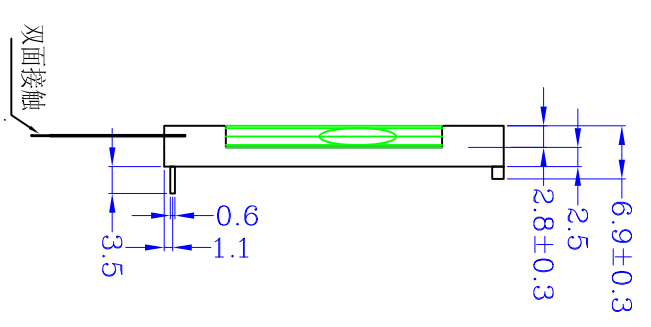
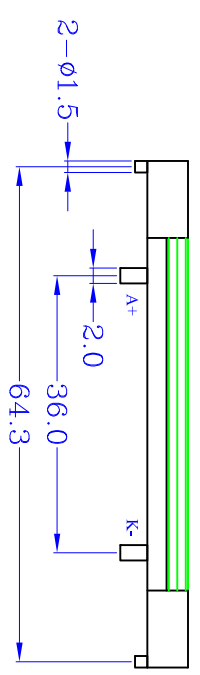
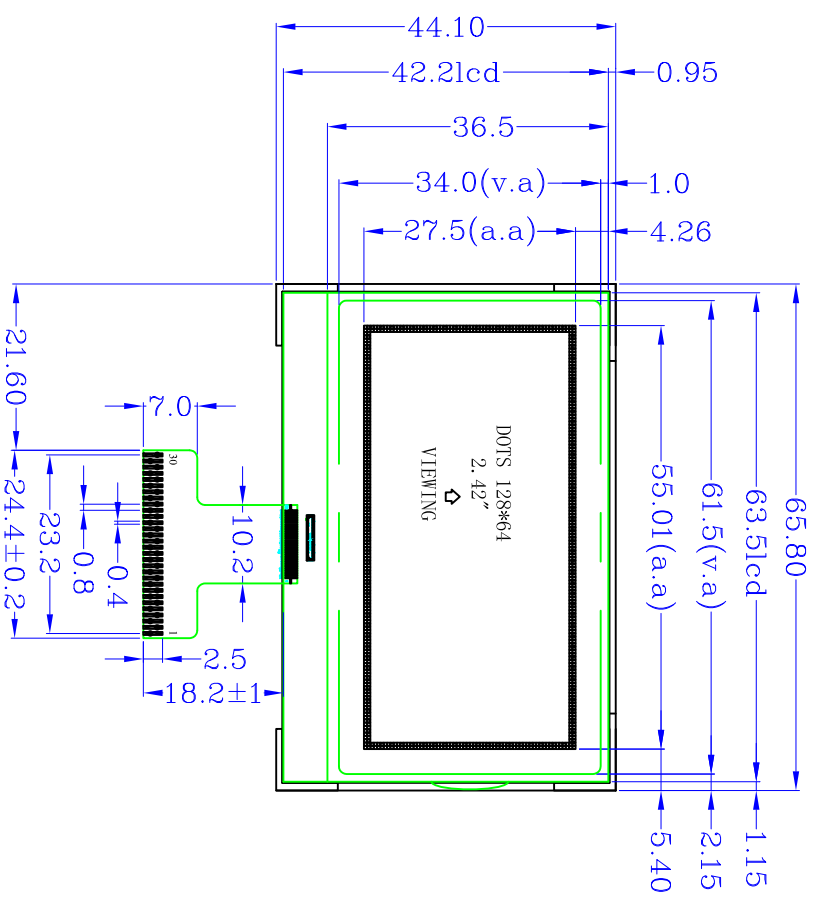




1	/CS
2	/RST
3	A0
4	/WR(R/W)
5	/RD(R)
6	DB0
7	DB1
8	DB2
9	DB3
10	DB4
11	DB5
12	DB6(SCT)
13	DB7(SCT)
14	VDD
15	VSS
16	VOUT
17	C3P
18	C1N
19	C1P
20	C2P
21	C2N
22	V4
23	V3
24	V2
25	V1
26	V0
27	VDD
28	C86
29	P/S
30	VSS



- NOTES:
1. DISPLAY TYPE: STN,YELLOW-GREEN
  2. POLARIZER TYPE: TRANSPARENT, POSITIVE
  3. VIEW DIRECTION: 6:00
  4. OPERATING TEMPERATURE: -20°C~+70°C
  5. STORAGE TEMPERATURE: -30°C~+80°C
  6. VDD: +3.3V
  7. DRIVE METHOD: 1/64DUTY, 1/9BIAS
  8. CONTROLLER: ST7565R
  9. BACKLIGHT TYPE: YELLOW-GREEN
  10. BACKLIGHT SUPPLY VOLTAGE: 3.0V

 <b>WAYING (HONGKONG) SHARES LIMITED</b>	
DESIGN:	MODEL NUMBER:
CHECK:	WYM12864K26G
APPROVE:	VERSION: A
	
SHEET: 1 OF 1	
DATE: 2012-12-09	

Unspecified tolerances are ±0.3